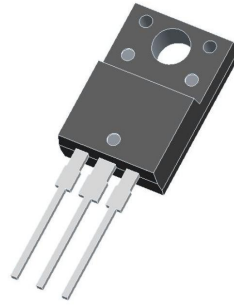


# ITO-220AB Packing information

B021, Rev. -

## 1. Finish Goods PKG photo

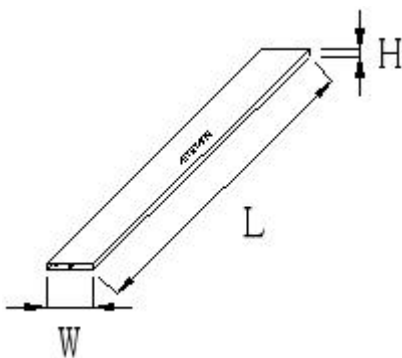


## 2. Packing method



Inner Box

Tube



Label



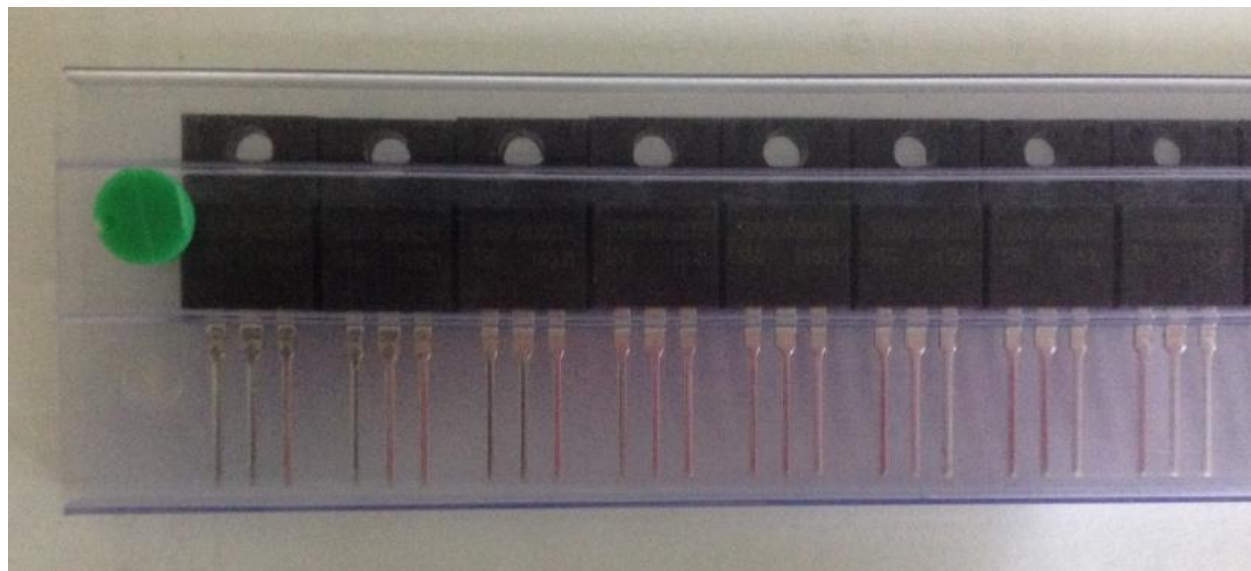
**Fig.1 - Tube pack for ITO-220AB**

**Table 1. Packing information**

Package version	Tube dimensions L×W×H (mm)	Per Tube (pcs)	Tube Weight (Kg)	Tube per box	Inner box dimension s L×W×H (mm)	Inner box weight (Kg)	PCS/ Inner box	Outer box dimensions L×W×H (mm)	PCS/ Outer box	Outer box weight (Kg)
ITO-220AB	530*32*7	50	0.13	20	555*84*75	2.7	1000	580*380*175	8000	22

**3. Product orientation**

Standard product orientation ITO-220AB



→  
direction of feed

**Fig 2. Product orientation in Tube**